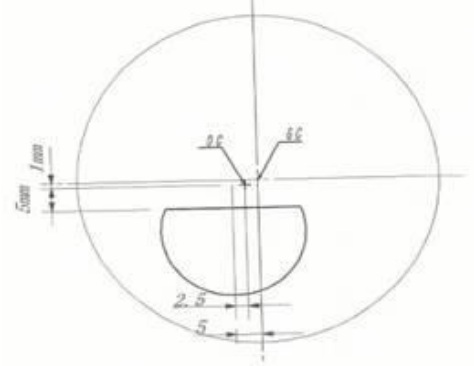


Range (D)	Effective Diameter (mm)	Nominal Base	TRUE Curve N=1.530	Back Curve	Center Thickness (mm)	Edge Thickness (mm)
+4.25 to +6.00	76	8.25	8.26	-6.00	12.3	9.0
+2.25 to +4.00	76	6.25	6.21	-6.00	8.7	8.8
+0.25 to +2.00	76	5.25	5.26	-6.00	8.7	10.2
-4.00 to 0.00	76	4.25	4.30	-4.00	10.6	10.4
-6.50 to -4.25	76	2.25	2.09	-4.00	10.6	13.6
-10.00 to -6.75	76	0.50	0.40	-4.00	10.6	15.8



Prescription Selection Chart

