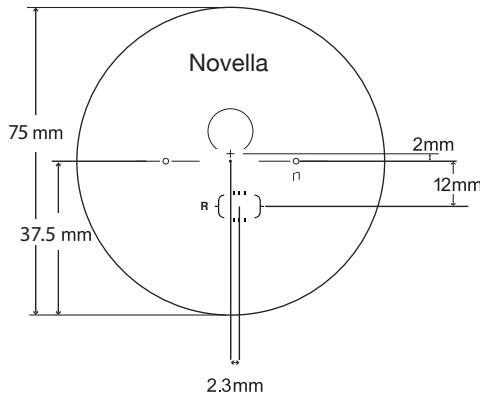
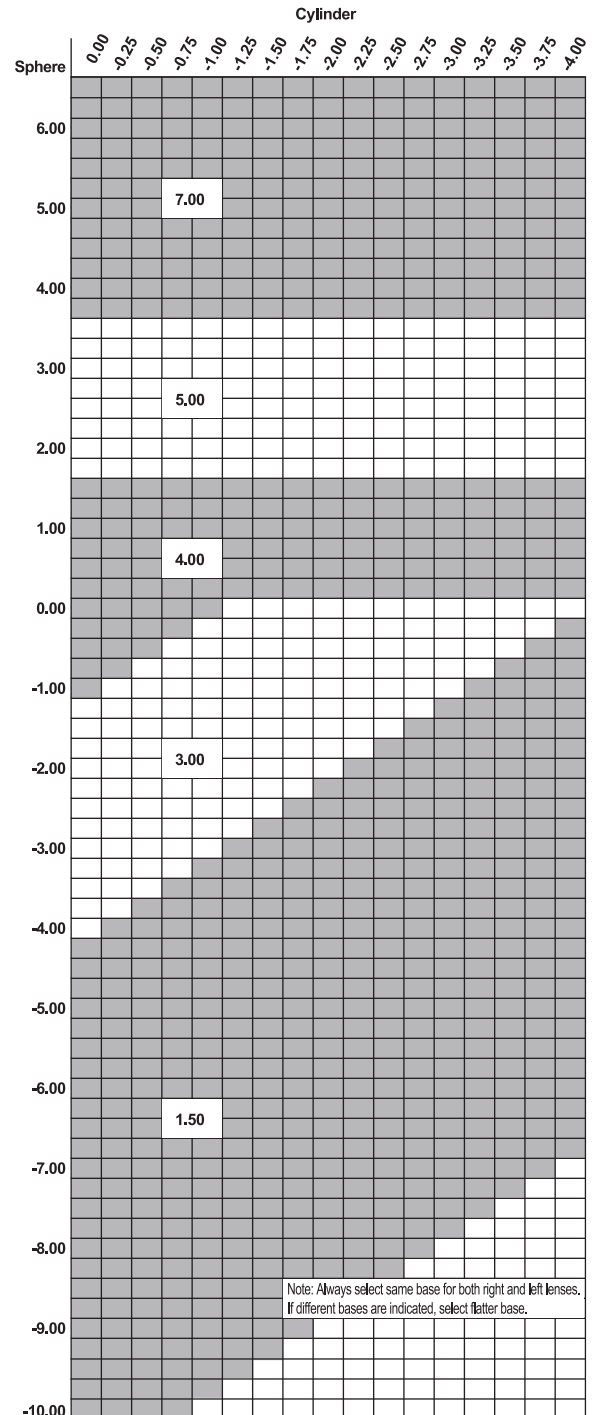


Product Reference Guide



Base Curve Selection



Polycarbonate

Novella® Aspheric Progressive Addition Lenses

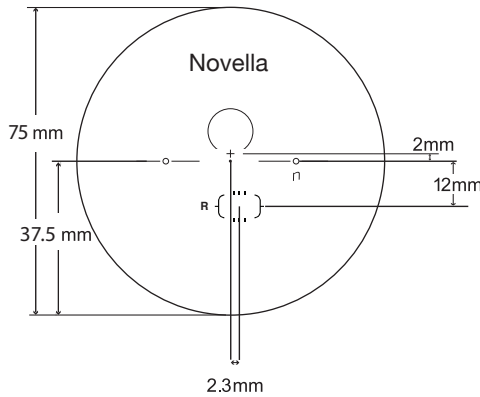
75mm Progressive (Clear)

Base Curve	True Curve (1.530)	Front Radius	50mm SAG*	Back Curve	Back Radius	CT (mm) Nominal	ET (mm) Nominal	MRP	Location
1.50	1.22	434.426	0.720	-7.50	-70.65	7.0	16.9	2.0 A	0.0 In
3.00	2.65	200.00	1.568	-6.25	-84.8	7.5	12.9	2.0 A	0.0 In
4.00	4.07	130.221	2.422	-6.25	-84.8	8.0	11.2	2.0 A	0.0 In
5.00	5.29	100.19	3.170	-6.25	-84.8	10.1	11.3	2.0 A	0.0 In
7.00	6.82	77.713	4.131	-7.50	-70.65	10.0	11.0	2.0 A	0.0 In

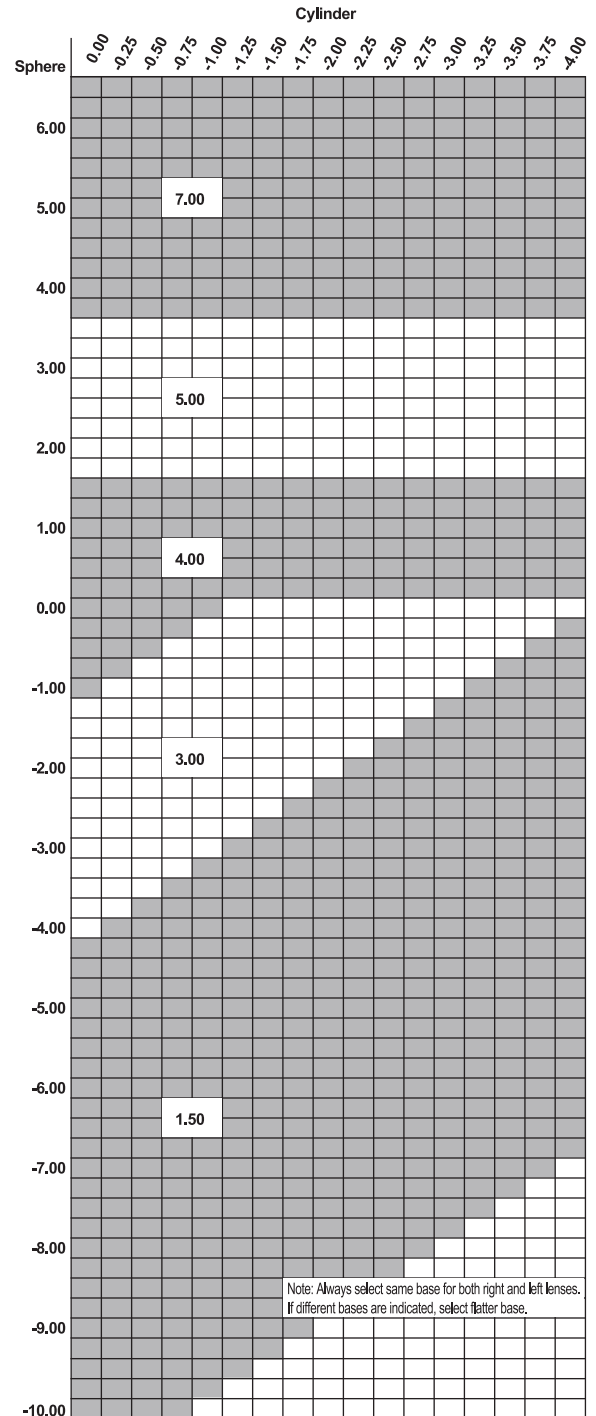
Base Curve	Clear
1.50	+1.00 to +3.00
3.00	+1.00 to +3.00
4.00	+1.00 to +3.00
5.00	+1.00 to +3.00
7.00	+1.00 to +3.00

*Utilized for power calculation only, not for thickness calculation.

Product Reference Guide



Base Curve Selection



Polycarbonate

Novella® LifeRx® Aspheric Progressive Addition Lenses

75mm Photochromic Progressive (Gray and Brown)

Base Curve	True Curve (1.530)	Front Radius	50mm SAG*	Back Curve	Back Radius	CT (mm) Nominal	ET (mm) Nominal	MRP	Location
1.50	1.22	434.426	0.720	-7.50	-70.65	7.0	16.9	2.0 A	0.0 In
3.00	2.65	200.00	1.568	-6.25	-84.8	7.5	12.9	2.0 A	0.0 In
4.00	4.07	130.221	2.422	-6.25	-84.8	8.0	11.2	2.0 A	0.0 In
5.00	5.29	100.19	3.170	-6.25	-84.8	10.1	11.3	2.0 A	0.0 In
7.00	6.82	77.713	4.131	-7.50	-70.65	10.0	11.0	2.0 A	0.0 In

Base Curve	Clear
1.50	+1.00 to +3.00
3.00	+1.00 to +3.00
4.00	+1.00 to +3.00
5.00	+1.00 to +3.00
7.00	+1.00 to +3.00

*Utilized for power calculation only, not for thickness calculation.